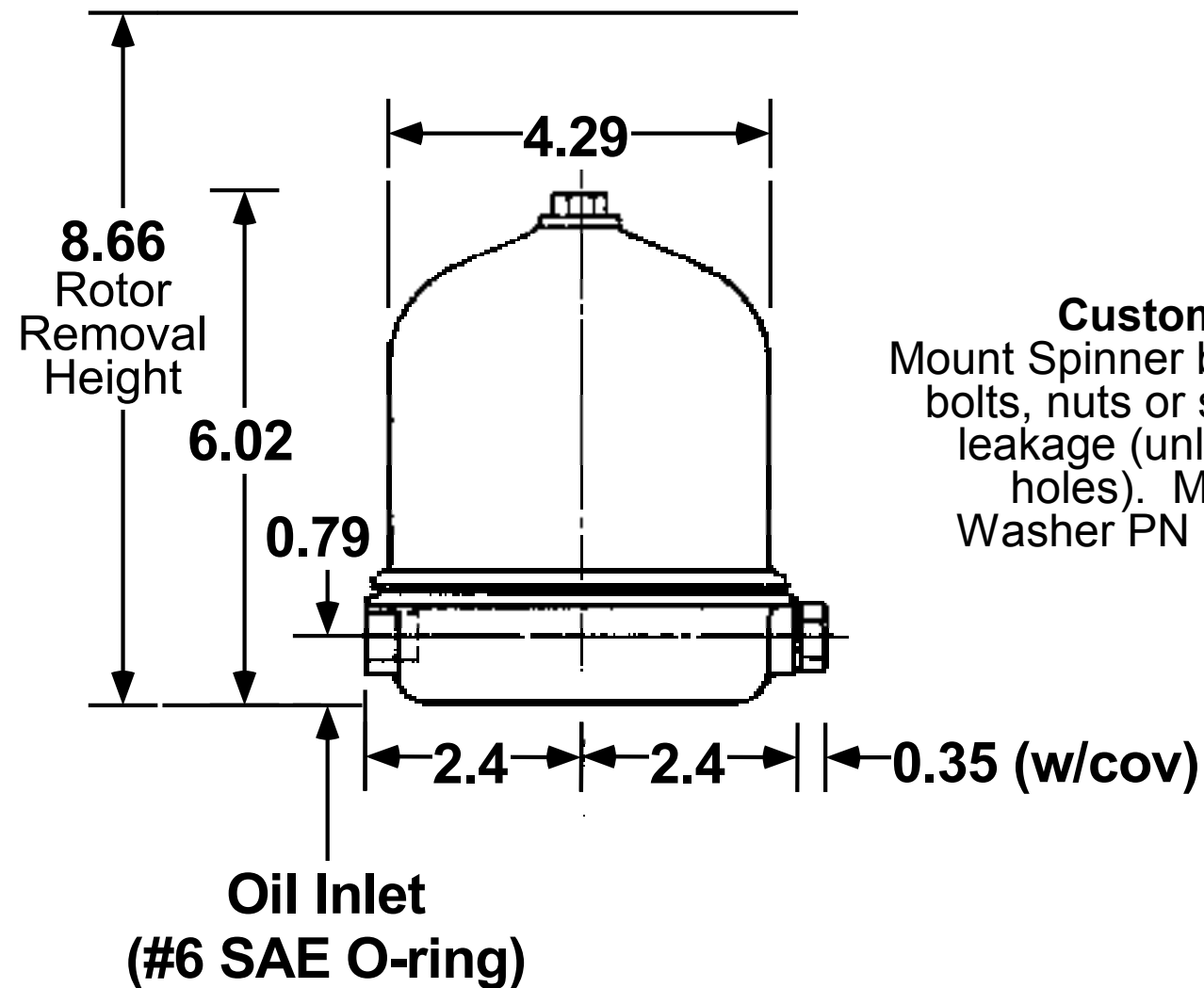
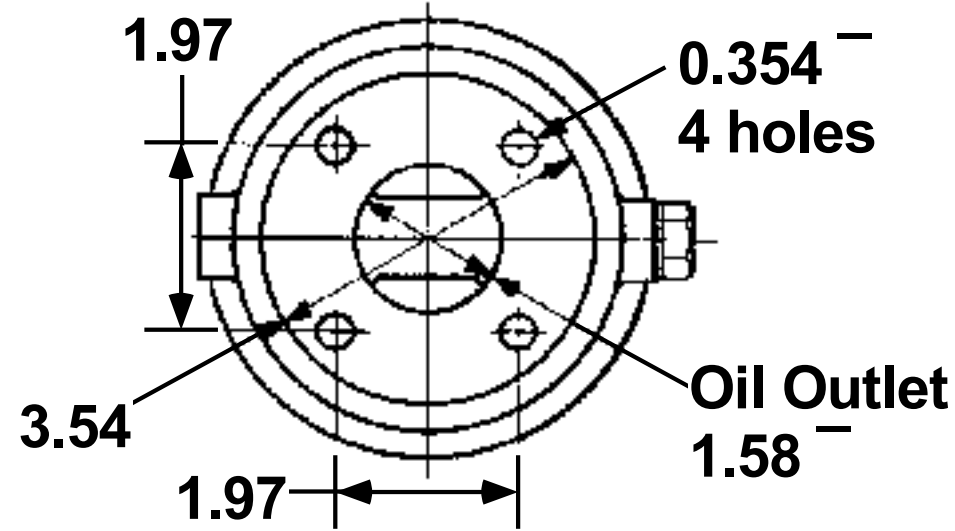
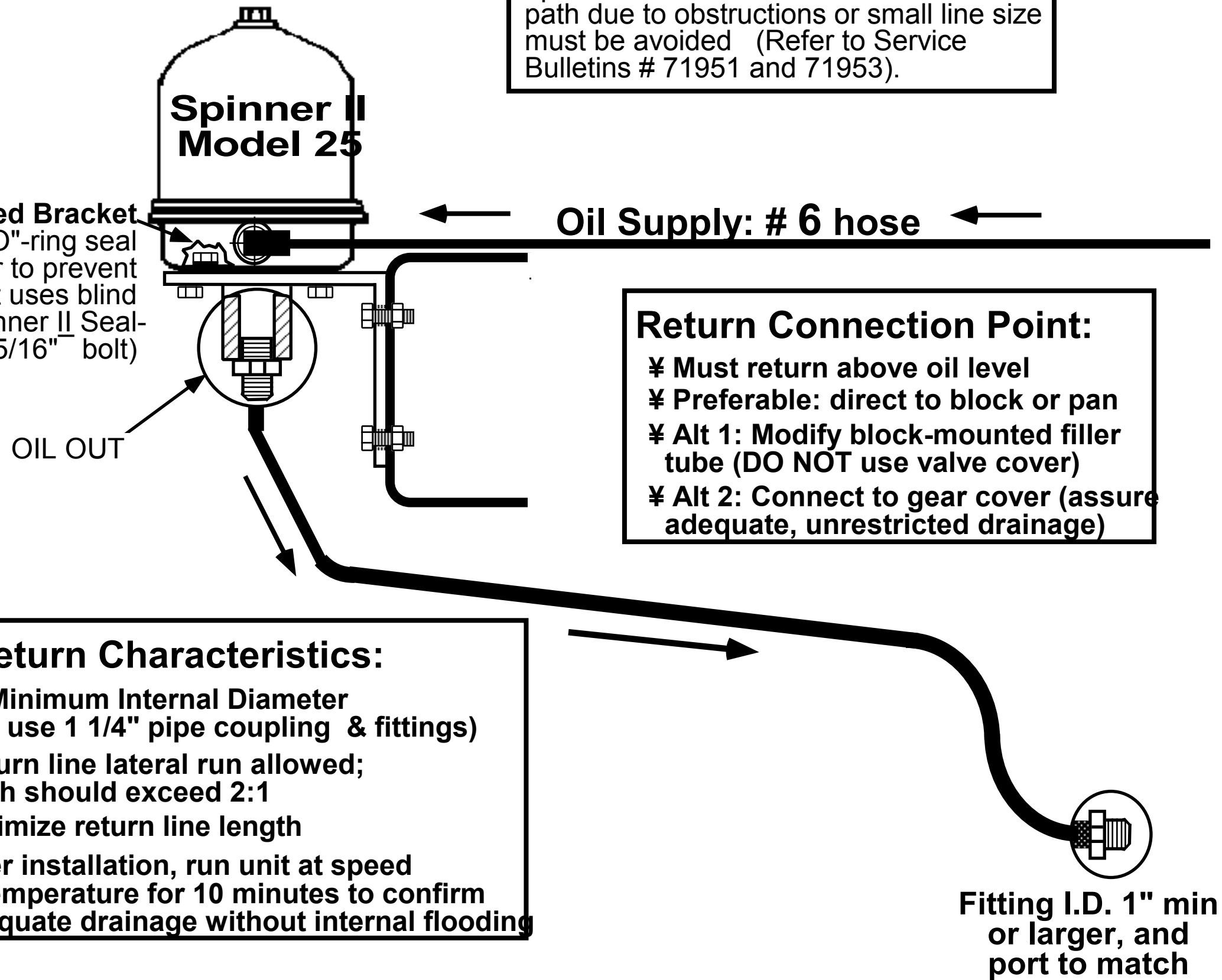


Gravity-Drain Installation of Model 25



Customer-Supplied Bracket
Mount Spinner body with "O"-ring seal bolts, nuts or seal washer to prevent leakage (unless bracket uses blind holes). May use Spinner II Seal-Washer PN 71936 (for 5/16" bolt)



The Spinner II Model 25 Oil Cleaning Centrifuge is a gravity - drained device, and installation practice outlined here must be rigidly followed to ensure effective operation. Excess restriction in the return path due to obstructions or small line size must be avoided (Refer to Service Bulletins # 71951 and 71953).

Return Connection Point:
 ¥ Must return above oil level
 ¥ Preferable: direct to block or pan
 ¥ Alt 1: Modify block-mounted filler tube (DO NOT use valve cover)
 ¥ Alt 2: Connect to gear cover (assure adequate, unrestricted drainage)

Oil Return Characteristics:
 ¥ 1" Minimum Internal Diameter (can use 1 1/4" pipe coupling & fittings)
 ¥ Return line lateral run allowed; pitch should exceed 2:1
 ¥ Minimize return line length
 ¥ After installation, run unit at speed & temperature for 10 minutes to confirm adequate drainage without internal flooding

To the best of our knowledge, this information is accurate and will provide safe and efficient operation of both the Spinner II centrifuge and the engine. Engines and options are subject to change. If you experience any problems with installation or operation, please contact your Spinner II Distributor or call our customer service department, at the following phone number: 800-231-7746 (713-682-3651 in TX)

SPINNER II
 © Spinner II Products / T. F. Hudgins, Incorporated
 Houston, Texas 77292-0946

4	24 Apr 97	Add SAE O-ring Port	sr
rev	date	change	by

Spinner II - Model 25 Centrifuge Mounting Practice

drawn SAR	checked	approved	project	date © 17 May 1989	dwg A1-4154-4
--------------	---------	----------	---------	-----------------------	------------------